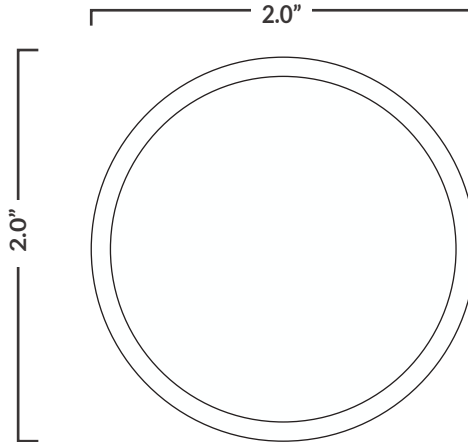




Colours*

*For embroidery designs, up to 9 thread colours are included in the base cost.

<input type="checkbox"/>	_____
<input type="checkbox"/>	_____
<input type="checkbox"/>	_____
<input type="checkbox"/>	_____
<input type="checkbox"/>	_____
<input type="checkbox"/>	_____
<input type="checkbox"/>	_____
<input type="checkbox"/>	_____
<input type="checkbox"/>	_____
<input type="checkbox"/>	_____
<input type="checkbox"/>	_____
<input type="checkbox"/>	_____
<input type="checkbox"/>	_____



If your design has loop(s), mark the border with an X where you want the loop(s) to be. You can also choose your loop colours.

Loop Colours*

*Loops are an additional cost

<input type="checkbox"/>	_____
<input type="checkbox"/>	_____
<input type="checkbox"/>	_____
<input type="checkbox"/>	_____
<input type="checkbox"/>	_____

Overall crest size 2"
(above image for reference only, may not measure finished crest size)
All text needs to be at least 18pt in order to stitch

→ Actual Text Size

Title _____

Description